

# User Guide

G&G GG21B1A-S1-01/GG21B1A-S1A-01 Series  
(GP1033 Series)  
Monochrome Laser printer



## Preface

Welcome to the G&G series products!

We heartily appreciate your using of G&G series products!

To protect your vital interests, please carefully read the following statements.

For more information, please visit our official website ([www.gg-printer.ru](http://www.gg-printer.ru)).

## Legal Notice

### Trademark

Zhuhai Ninestar Information Technology Co., Ltd. has the right to use the G&G and G&G logos. Microsoft®, Windows®, Windows Server® and Windows Vista® are trademarks registered by Microsoft Corporation in the United States or other countries/regions.

Apple, AirPrint, Mac, and macOS are trademarks of Apple Inc., registered in the U.S. and other countries. Use of the Works with Apple badge means that an accessory has been designed to work specifically with the technology identified in the badge and has been certified by the developer to meet Apple performance standards.

The Mopria™ wordmark and the Mopria™ Logo are registered and/or unregistered trademarks of Mopria Alliance, Inc. in the United States and other countries. Unauthorized use is strictly prohibited.

Wi-Fi Direct, Wi-Fi Protected Setup (WPS), WPA, WPA2, WPA3 and Wi-Fi Protected Access are marks of the Wi-Fi Alliance.

The ownership to the names of the software in this User Guide belongs to their respective companies in accordance with corresponding license agreement, and they are referred for instructions only.

All other product and brand names herein may be the registered trademarks, trademarks or service marks of their respective owners, and they are referred for instructions only.

### Copyright

The copyright of this User Guide is owned by Zhuhai Ninestar Information Technology Co., Ltd. It is prohibited to copy, translate, modify and transmit this User Guide by any means or forms without the prior written consent of Zhuhai Ninestar Information Technology Co., Ltd.

Version: V1.0

### Disclaimer

For a better user experience, Zhuhai Ninestar Information Technology Co., Ltd. reserves the right to make changes to the User Guide. The information contained herein is subject to change without notice.

Users are responsible for any damages arising from failing to follow this User Guide. Meanwhile, except the express warranty made in the product maintenance manual or service commitment, Zhuhai Ninestar Information Technology Co., Ltd. does not make any express or implied warranty or guarantee to this User Guide (including composing or words).

Using this product to copy, print, scan certain documents or images or make other forms of operations may be prohibited by the local laws. If you are uncertain about the legality of using this product for certain documents or images, you should consult your legal advisor in advance.

# Safety Precautions

## Disconnect the power supply

The product should be placed close to or easily accessible to power sockets, so as to allow easy disconnection of power supply!

## Laser Safety

The laser radiation is harmful to the human body. Since laser components are completely sealed in the printer, laser radiation will not leak. To avoid laser radiation, please do not randomly disassemble the printer!

Caution – Use of controls or adjustments or performance of procedures other than those specified herein may result in hazardous radiation exposure.

The printer follows the provisions of Class 1 laser products under CFR standard.



The printer has a Class 3B laser diode, which has no laser radiation leakage among laser components.

The laser components shall comply with the requirements of: U.S. Code of Federal Regulations, 21 CFR 1040, IEC 60825-1.

The following label is attached to the laser components inside the printer:



or



## Safety Warning

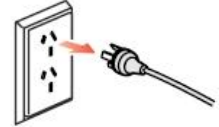
Please note the following safety warnings before using the printer:



### Warning



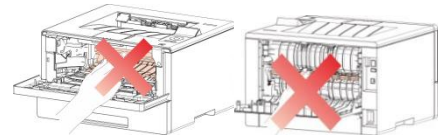
There is high-voltage electrode inside the printer.  
Before cleaning the printer, make sure the power is turned off!



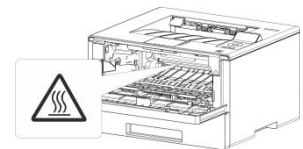
Plugging and unplugging the power cord plug with a wet hand can result in an electric shock.



The fuser unit is hot when and after printing.  
Touching the fuser unit (the shaded area as shown) may cause burns!



The fuser unit is attached with a high temperature warning label. Please do not remove or damage this label.



# Precautions

## Precautions before Using the Printer:

1. Read and understand all instructions;
2. Familiarize yourself with the basic principles associated with operating electrical appliances;
3. Comply with all warnings and instructions marked on the equipment or specified in the manual supplied with the equipment;
4. If the operating instructions conflict with the safety information, please refer back to the safety information, as you may have misunderstood the operating instructions. If you cannot resolve the conflicts, please call the Customer Service Hotline or contact a service representative for help;
5. Before cleaning the equipment, remove the power cord from the AC power supply outlet. Do not use liquid or aerosol cleaners;
6. Please make sure that the equipment is put on a stable desktop surface to avoid serious damage caused by the falling of the equipment;
7. Do not put the equipment near a radiator, an air conditioner, or a ventilation pipe;
8. Do not put any articles on the power cord. Do not put the equipment at the place where its power cord could be stepped on by people;
9. Outlets and extension cords must not be overloaded. This may reduce performance and could result in fire or electric shock;
10. Do not allow pets to chew on the AC power cord or the computer interface cable;
11. Do not allow sharp objects piercing equipment slot, so as to avoid contact with the high-voltage device, which otherwise may result in fire or electric shock. Take care not to spill liquids onto the equipment;
12. Do not disassemble the equipment so as to avoid the risk of electric shock. Necessary repairs may only be carried out by professional maintenance personnel. Opening or removing the cover could result in an electric shock or other potential hazards. Incorrect disassembly and assembly could also result in an electric shock during future use;
13. If any one of the following occurs, disconnect the equipment from the computer and pull out the power cord from the AC wall socket and contact a qualified member of the service personnel for maintenance:
  - Liquid has been spilled into the equipment.
  - The equipment has been exposed to rain or water.
  - The equipment falls, or the cover is damaged.
  - Significant changes in the equipment's performance.
14. Only adjust the control mentioned in the instructions. Incorrect adjustment of other controls may result in damage and mean that professional maintenance personnel need to spend more time fixing it;
15. Do not use the equipment in a thunderstorm so as to avoid the risk of an electric shock. If possible, pull out the AC power cord during a thunderstorm;
16. If you continuously print multiple pages, the surface of the tray will become very hot. Take care not to touch this surface, and keep children away from this surface;
17. The signal wire of the device connected with the printer can not be connected to the outdoors;
18. Please ensure timely ventilation in case of a prolonged use or printing huge amounts of documents in a poorly ventilated room;

19. In standby status, the product will automatically enter into the power saving (sleep) mode if it does not receive any job order for a while (such as 1 minute); and it can realize zero power consumption only if it has not been connected with any external input power supply;
20. As the Class I equipment, the product must be connected to the power supply outlet with protective grounding line when using;
21. This product should be placed according to the shipping marks on the product package box during delivery;
22. This product is a kind of low-voltage equipment. When using this product below the specified voltage range, please refer to the product precautions or call G&G Aftersales Service Centre, if the toner comes off the printed contents, or the equipment starts slowly;
23. This product is sold as a complete machine. The consumers can go to G&G Aftersales Service Centre to purchase parts they need. If the product sold is inconsistent with the package list, please go to the specified Aftersales Service Centre to solve the problem;
24. Install this product in a place with the temperature between 10°C and 32°C and the relative humidity between 20% and 80%;
25. RF Radiation Exposure Statement Caution: To maintain compliance with the RF exposure guidelines, place the product at least 20cm from nearby persons.
26. The power consumption of the product with wireless function is 3W/without wireless function is 2W in networked standby if all wired network ports are connected and all wireless network ports are activated.
27. To avoid the danger of fire or electric shock, please only use the power cord provided with this product or authorized replacements approved by the manufacturer.
28. The power cord provided with this product is intended for this product only. Do not use it with other devices as it may cause fire, electric shock, or other injuries.
29. Do not use flammable sprays or combustible solvents near or inside the machine. Additionally, do not place them near or inside the machine as it may cause fire or electric shock.
30. Please keep this User Guide properly.

## Legal Information



This symbol indicates that, at the end of your product's life, it must not be discarded as domestic waste. Instead, you should dispose of your used equipment at a designated collection point for the recycling of waste electrical and electronic equipment. Ref: EU Directive 2002/96/EC on Waste Electrical and Electronic Equipment (WEEE). Please contact your distributor / supplier for further information.



This product is suitable for indoor use only.

---

# Table of Contents

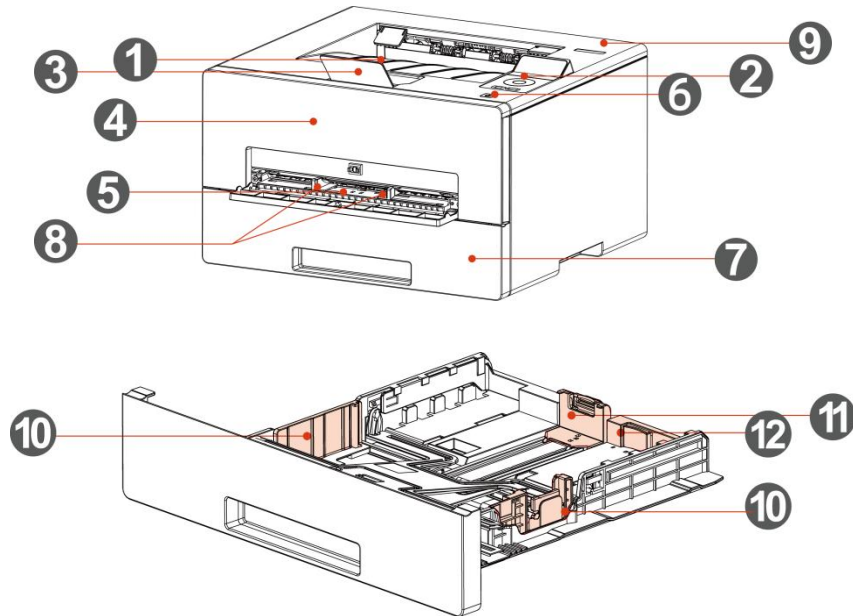
01 Before Using the Printer .....	1
Product View .....	1
Control Panel .....	3
Overview of control panel .....	3
02 Paper and Print Media .....	4
Paper Specification .....	4
Loading Paper .....	5
Loading into the Automatic Feeder Tray .....	5
Install manual feed tray .....	6
03 Driver installation and uninstallation .....	9
Driver Setup .....	9
One-click Installation (For Windows and macOS) .....	9
Uninstall Driver .....	10
Method to uninstall driver under Windows .....	10
Method to uninstall driver under macOS .....	10
04 Wired network setup (applicable to wired network models) .....	11
Set IP Address .....	11
Automatic Setting .....	11
Manual Setting .....	11
05 Wireless network setup (applicable to Wi-Fi models) .....	12
Basic structure mode .....	12
Wireless network setup tools .....	13
How to disable the Wi-Fi network connected .....	13
06 Web server .....	14
Visit the embedded Web server .....	14
07 Print .....	15
Print Function .....	15
Print Settings .....	16
Setting the printing parameters .....	16
Automatic Two-Sided Printing .....	16
Mute printing .....	18
08 Routine Maintenance .....	19
Cleaning the Printer .....	19
Toner cartridge and drum component component maintenance .....	21
About toner cartridge and drum component component .....	21

Replace toner cartridge and drum component .....	22
09 Troubleshooting .....	27
Cleaning Jammed Paper .....	27
Paper jam of auto feed tray .....	27
Paper jam of manual feed tray .....	29
Middle jam .....	30
Paper Jam in the Fuser Unit .....	32
Duplex Unit Jam .....	33
Software Failure .....	35
Common Troubleshooting .....	36
Common Problems .....	36
Image Defects .....	37
10 Product Specifications .....	40
Overview of the Specifications .....	40
Print Specifications .....	41

# 01 Before Using the Printer

## Product View

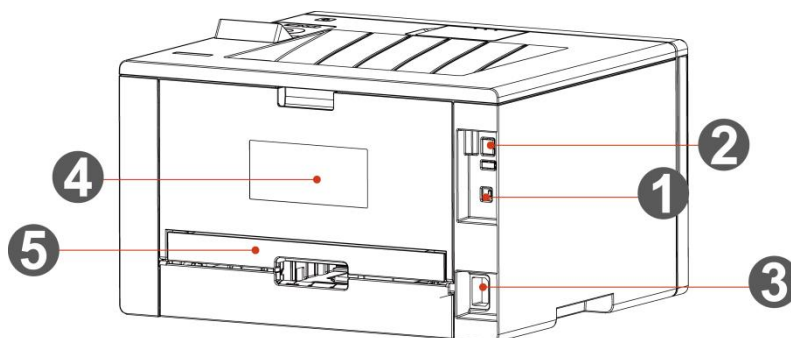
### Side view



1	Output Bin	For storing the printed paper.
2	Control Panel	Indicate printer status to conduct set operation.
3	Output Tray	To prevent the printed paper from falling.
4	Front Cover	To open the front cover to take out the laser toner cartridge.
5	Manual feed tray	For placing mediums that are printed in manual feed tray.
6	Power switch	Turn the power on or off and press this button under Ready state to enter energy-saving mode. Press and hold this button for more than 2s to turn the printer power off.
7	Automatic Feeder Tray	For placing mediums that are printed in auto feed tray.
8	Paper deflector of manual feed tray	Slide paper deflector to adapt to paper width.
9	NFC (Near Field Communication) label	Touch this label on mobile device to download or start G&G Print App and connect Wi-Fi Directly.
10	Paper width deflector of auto feed tray	Slide paper width deflector to adapt to paper width.

- |    |  |  |
|----|--|--|
| 11 | Paper length deflector of auto feed tray | Slide paper length deflector to adapt to paper length. |
| 12 | Clip of extended tray of auto feed tray  | For adjustment of length extension of the tray .       |

### Rear View



- |   |                      |  |
|---|----------------------|--|
| 1 | USB Interface        | For connecting product to computer with USB cable.   |
| 2 | Network Interface    | For connecting product to network with network cable.  |
| 3 | Power Interface      | For connecting product to power with power cord.   |
| 4 | Rear Cover           | For paper release when it gets jammed.   |
| 5 | Duplex Printing Unit | For paper feed at duplex printing and paper release when paper gets jammed at duplex printing. |

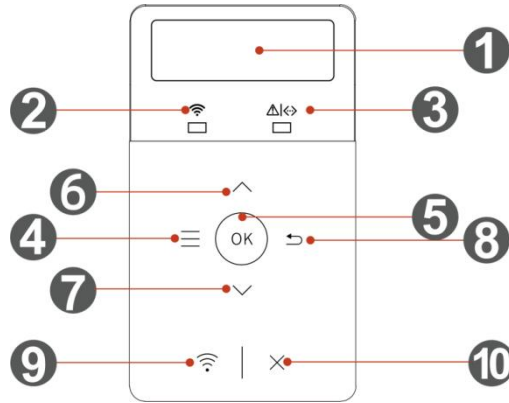
**Note:** • Printer appearance may vary depending on the printer model and configuration; the schematic diagram is for reference only.

# Control Panel

## Overview of control panel

The layout of the printer control panel is shown below:

### LCD control panel



No.	Name	Functions
1	LCD Display	Display operation interface and product information.
2	Wi-Fi indicator/save toner indicator	Indicate Wi-Fi connection status (applicable to Wi-Fi model only). Indicate the on/off of save toner function (applicable to non-Wi-Fi model only).
3	Toner cartridge/status indicator	Indicate the status of toner cartridge and printer
4	Menu	Open the main menu of control panel.
5	OK	Confirm the selection on screen.
6	UP	Scroll through the menus and options . For menu items need to input, change the numeric value by cycle accumulating.
7	Down	Scroll through the menus and options . For menu item needs to be input, shift the entry positions from left to right, for example, IP address entry.
8	Back	Return to the previous menu.
9	Wi-Fi key/save toner key	Short press Wi-Fi button to turn on direct Wi-Fi connection of the printer and automatically print out "Mobile Device Wi-Fi Connection Wizard" page (for models with Wi-Fi function only). Long press Wi-Fi button for over 2s to start WPS when Wi-Fi is not connected or to disconnect Wi-Fi when it has already been connected (for models with Wi-Fi function only). Open save toner function(applicable to non-Wi-Fi model only).
10	Cancel	Execute cancel operation.

# 02 Paper and Print Media

## Paper Specification

Automatic Feeder Tray	Media Type	Plain paper(70~105g/m <sup>2</sup> ),thin paper(60~70g/m <sup>2</sup> )
	Media size	A4, Letter, A5, Legal, Statement, JIS B5, Folio, Oficio, Executive, ISO B5, A6, B6, 16K, Big 16K, 32K, Big 32K, Custom
	Media weight	60~105 g/m <sup>2</sup>
	Maximum capacity of the tray	250 pages (80 g/m <sup>2</sup> )
Manual feed tray	Media Type	Plain paper(70~105g/m <sup>2</sup> ),thin paper(60~70g/m <sup>2</sup> ),thick paper(105~200g/m <sup>2</sup> ),transparent film,carton paper,label paper, envelope
	Media size	A4, Letter, Legal, Folio, Oficio, Statement, Executive, JIS B5, ISO B5, A5, A6, B6, Monarch Env, DL Env, C5 Env, NO.10 Env, C6 Env, Japanese Postcard, ZL, 16K, Big 16K, 32K, Big 32K, Yougata4, Postcard, Younaga3, Nagagata3, Yougata2, Custom
	Media weight	60~200 g/m <sup>2</sup>
	Maximum capacity of the tray	1 pages

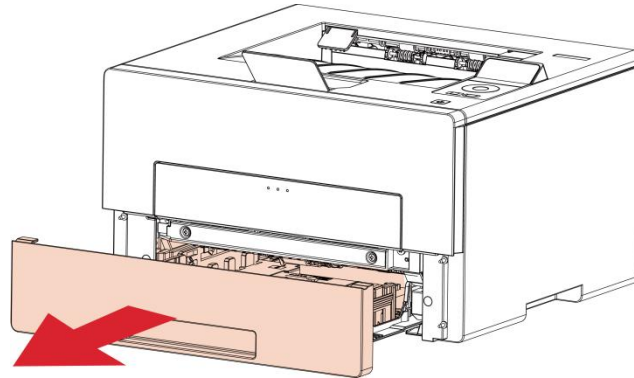
**Note:** • 80 g/m<sup>2</sup> standard paper is recommended for this printer.

- It is not recommended to use special paper extensively, which may affect the service life of the printer.
- The print media that does not meet the guidelines listed in this User Guide may result in poor print quality, increased paper jam and excessive wear of the printer.
- Properties such as weight, composition, texture and humidity are important factors affecting the printer performance and output quality.

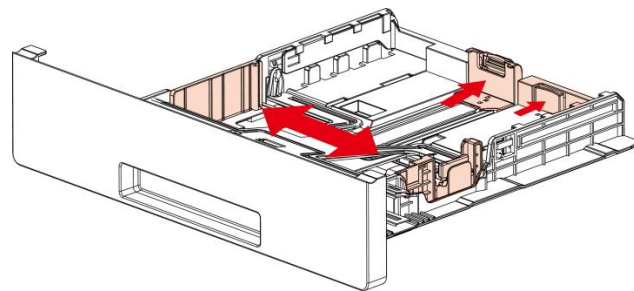
## Loading Paper

### Loading into the Automatic Feeder Tray

1. Slide out the automatic feeder tray from the printer.

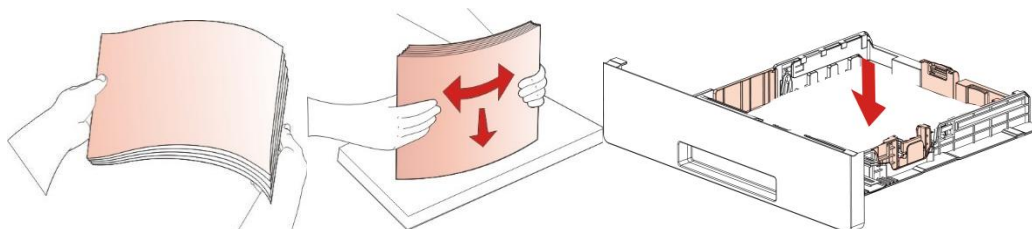


2. Slide the clip of extended tray of auto feed tray, paper length deflector and paper width deflector to the slot suitable for paper size, in order to match paper length and width.

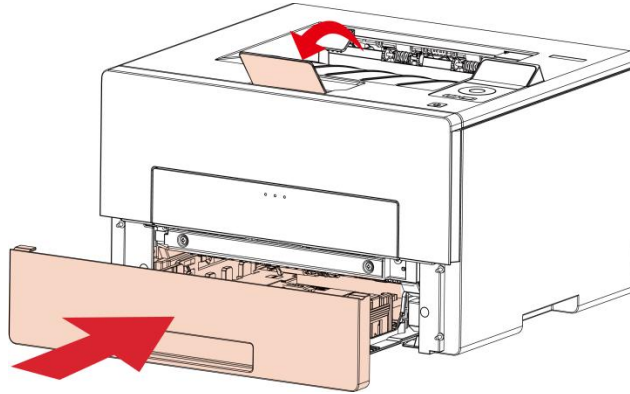


**Note:** • Do not overly squeeze the "paper length guide" and "paper width guide", otherwise it could easily lead to deformation of paper.

3. Before loading paper, please unfold the stacked paper to avoid a paper jam or feed error, and then load the paper into the tray print-side down. The automatic feeder tray can be loaded up to 250 pages, 80g/m<sup>2</sup> paper.



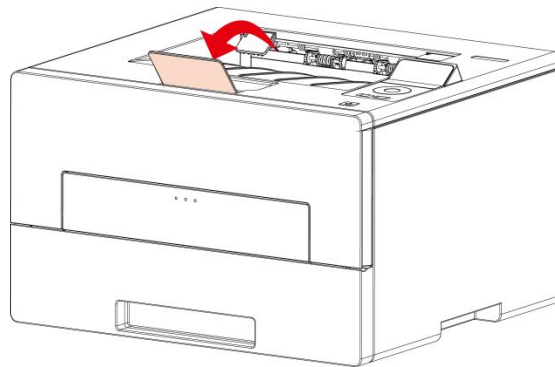
4. Raise the output tray to avoid the printed paper from slipping and falling, or immediately remove the printed document after the printing is complete.



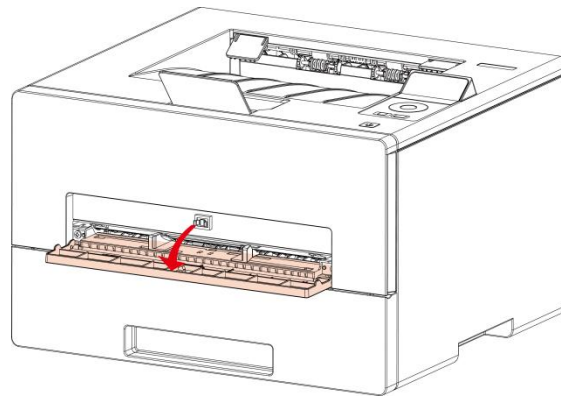
- Note:** • It is recommended that you raise the output tray to prevent the paper from slipping and falling after printing. If you choose not to raise the output tray, we recommend that you immediately remove the printed paper from the printer.
- If more than 250 pages (80 g/m<sup>2</sup>) are put inside the auto feed tray at one time, paper jam or paper feed failure will be led to.
  - If carrying out single-sided printing, please make sure that the side to be printed (the blank side) is face down.

## Install manual feed tray

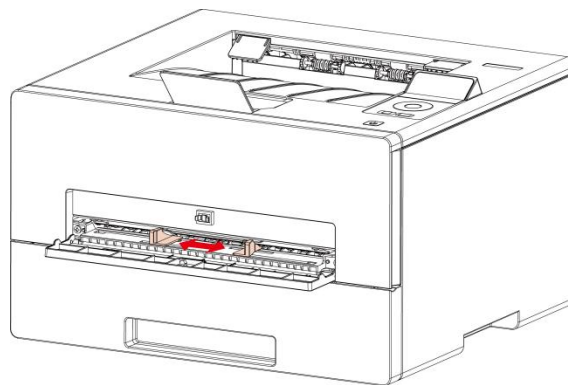
1. Raise the output tray to avoid the printed paper from slipping and falling, or immediately remove the printed document after the printing is complete.



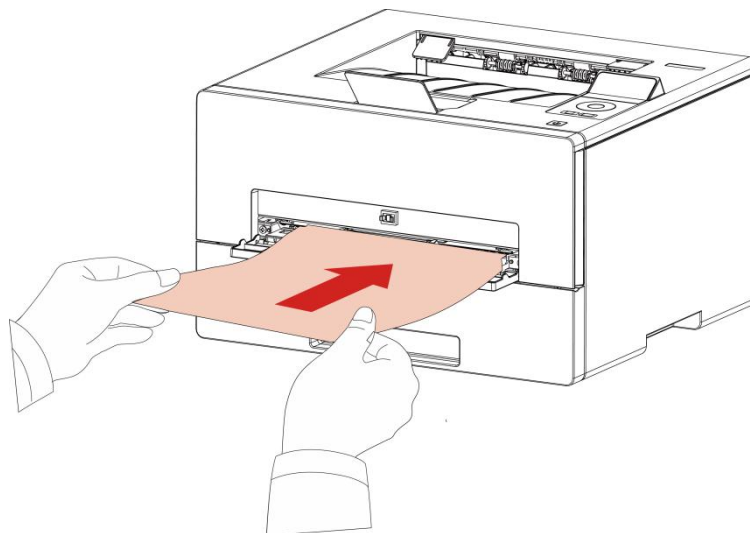
2. Open manual feed tray.



3. Slide the paper deflector of manual feed tray to match the two sides of paper. Do not use excessive force; otherwise, paper will be made jammed or skewed.



4. Put a flat printing medium into the manual feed tray with both hands.



**Note:** • The printer will enter manual feed mode automatically when you put papers inside the manual feed tray.

• Please put one printing medium inside the manual feed tray each time and put in another piece after finishing printing.

• Put the printing medium inside the manual feed tray with the printing side up; the top of paper should be put inside first.

5. When the printed page is output from the printer, put the second piece inside according to the above steps to continue printing. Slow action will lead to the prompt of paper out or paper failure of manual feed tray. After paper is put inside, printing will be resumed automatically; too quick action may make paper caught up in the printer, which will easily result in paper jam.

**Note:** • After printing, please take out printed papers output from printer immediately. Stacked papers or envelopes will lead to paper jam or wrapped paper.

# 03 Driver installation and uninstallation

---

## Driver Setup

This software provides a one-click installation method for driver installation on Windows and macOS systems, which can help you automatically complete the driver installation faster and more easily.

**Note:** • Driver installation interface may differ because of different models and functions, so the schematic diagram is only for your reference.

### One-click Installation (For Windows and macOS)

One-click installation provides you with three installation methods: "Wi-Fi", "USB", and "Wired Network". This manual focuses on the "Printer Installation by USB Connection".

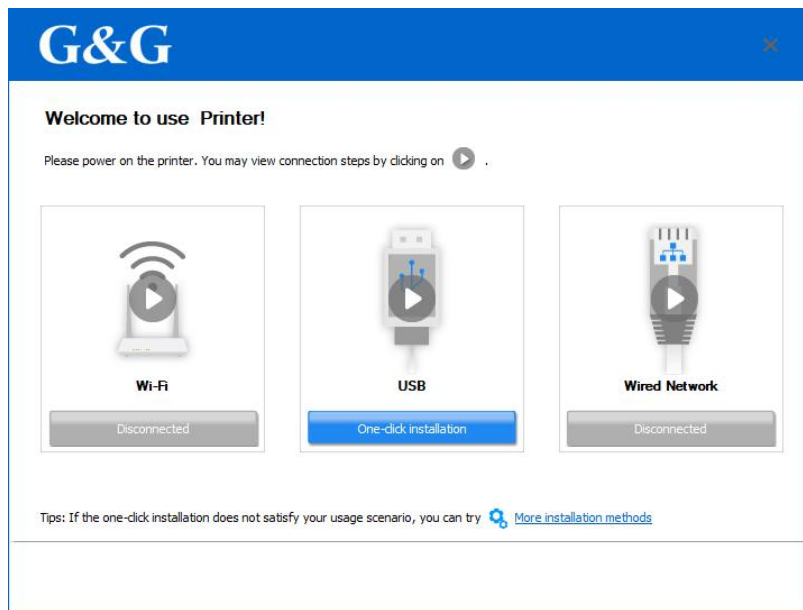
#### Connect printer via USB cable

1. Connect the printer to computer via USB cable, power the printer and computer on.
2. Insert the accompanying installation disk into the computer CD drive, or log in to G&G official website ([www.gg-printer.ru](http://www.gg-printer.ru)) to download the drive.

**Note:** • Some computers may be unable to auto play the CD because of system configuration. Please double click "Computer" icon, find "DVD RW driver", then double click "DVD RW driver" to run the installation procedure.

3. Read and agree to the terms contained in the End User License Agreement and the Privacy Policy, click the "Next" button in the lower right corner of the interface to enter the driver installation interface.
4. For Windows, follow Step 5. For macOS, enter PC password before proceeding to Step 5.

5. The setup will start when you click on "One-click installation" under USB. The setup may take a while, depending on your PC configuration. Please wait.



6. After the installation, click "Print & Test Page" button. If your printer prints the test page successfully, it means that you have installed the driver correctly.

## Uninstall Driver

### Method to uninstall driver under Windows

Windows 10 is taken as the example in the following operation. The information on your computer screen may differ because of multiple operating systems.

1. Click the Start menu of computer and then click All programs.
2. Click "GG IMAGE".
3. Click uninstall to delete the driver according to instructions on uninstall window.
4. Restart computer after finishing unloading.

### Method to uninstall driver under macOS

macOS10.14 is taken as the example in the following operation. The information on your computer screen may differ because of multiple operating systems.

1. Click "Go" - "Applications" - "GG IMAGE" - "Utilities" - "GG IMAGE Un-install Tool".
2. Delete the driver as instructed in the pop-up Uninstall window.
3. Uninstall complete.

# 04 Wired network setup (applicable to wired network models)

---

In case printers support wired network printing, they can be connected to network to control printer to print in wired network mode.

## Set IP Address

The IP address of the printer may be automatically obtained through DHCP function or set manually.

### Automatic Setting

DHCP automatic setting function is enabled by default on the printer.

1. Connect the printer to the network through a network cable and complete the startup preparation work.
  2. The printer will receive the IP address assigned by server automatically. It may take server minutes to receive IP address under the influence of network environment.
- You can check the IP address of printer by printing "Network setup page" or check network information by viewing the control panel of printer. If the IP address is not listed, please check network environment and then try again after waiting for several minutes.

**Note:** • If DHCP server fails to assign IP address automatically, the printer will get the link-local address assigned by printer automatically: 169.254.xxx.xxx.

### Manual Setting

To set up IP address for printer through the control panel of printer manually.

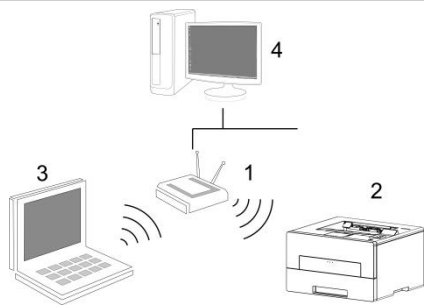
To set up IP address for printer through the embedded Web server manually.

# 05 Wireless network setup (applicable to Wi-Fi models)

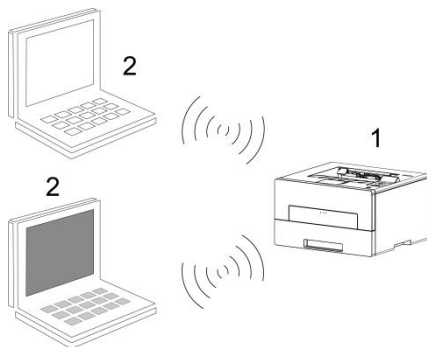
---

Based on the model, the printer model with Wi-Fi print function supports two types of wireless network connection: Wi-Fi Station and Wi-Fi Direct. Usually, only one connection is enabled between the computer and the printer at a time.

---



- Basic structure mode: connecting to a wireless device via router
1. Access point (wireless router)
  2. Wireless network printer
  3. Computer connecting to access point via wireless network
  4. Computer connecting to access point via network cable
- 



- Wi-Fi Direct mode: wireless client is connecting to a printer with Wi-Fi function
1. Wireless network printer
  2. Wireless client is directly connecting to a wireless network printer
- 

## Basic structure mode

You can connect a computer to your printer via access point (wireless router) as the medium. Access point (wireless router) connection is divided into wireless network setup and Wi-Fi Protected Setup (WPS).

Important: Before wireless network installation, you must learn about the service set identifier (SSID) and password of your access point in order to use them during wireless network setup. If they cannot be determined, please consult your network administrator or access point (wireless router) manufacturer.

## **Wireless network setup tools**

If your computer has been installed with a driver and had been connected to wireless network, but the wireless network was changed, you can set it again with wireless network setup tools.

### **Preliminary preparations**

1. Access point (wireless router)
2. A computer that has been connected to network.
3. A printer that has wireless network function.

### **Setup methods of wireless network setup tools**

Take the wireless network setup tool in computer.

- 1) Windows system: Click the "Start menu" – "All programs" - "GG IMAGE" – Product name – "Wireless network setup tool".
- 2) macOS system: click "Go" - "Applications" - "GG IMAGE" - "Utilities" - "GPxxx"- "Wireless Network Configuration Tool" on the computer Finder menu bar.

### **How to disable the Wi-Fi network connected**

Connect the wireless network in infrastructure mode by the steps above. If connected, the Wi-Fi light on the control panel is normally on. Press and hold this button for more than 2s to disconnect from Wi-Fi network (Wi-Fi light will be off).

# 06 Web server

You can manage printer setup via the embedded Web server.

The screenshot displays the printer's embedded Web server interface. At the top, there are navigation tabs: 'Product Information', 'Settings' (selected), 'User Management', and 'Log in'. A language dropdown menu is set to 'English'. The main content area is divided into three sections:

- Settings:** A sidebar menu with categories: Network settings (expanded), Machine settings, and Security settings. Under Network settings, 'Wired IP Configuration' is selected.
- Wired IP Configuration:** A form with the following fields:
  - Host Name: GG-C19CE0
  - MAC Address: A0:EF:84:C1:9C:E0
  - IPv4 Address Assignment Mode: Automatic (dropdown)
  - IPv4 Address: 169.254.156.224
  - Subnet Mask: 255.255.0.0
  - Gateway Address: (empty)
  - Domain Name: (empty)
  - IPv4DNS Address Assignment Mode: Automatic (dropdown)
  - Primary IPv4DNS Server Address: 192.168.0.1
  - Secondary IPv4DNS Server Address: (empty)
  - IPv6 Local Link Address: fe80::a2ef:84ff:fec1:9ca0
- Tip:** A text box stating: 'This page provides configuration related to Printer Name, wired IPv4, and wired IPv6-related attributes.'

At the bottom of the form, there are 'Apply' and 'Cancel' buttons.

## Visit the embedded Web server




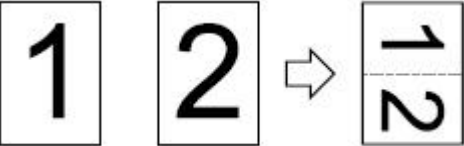



1. Turn on the power of printer and computer.
2. Connect the printer to network to ensure that the printer is connected to the network where the computer is connected to.
3. Input the IP address of printer in the address bar of Web browser to visit the Web server imbedded in printer.
4. Click "Log in" option, input user name and password (the default user name is admin and the initial password is 000000) and click "Log in".

**Note:** • For safety reasons, you are suggested to change the default password, which can be finished in the "User Management" interface.

# 07 Print

## Print Function

You can set the print function through "Start"->"Devices and Printers"- select corresponding printer- right click – set print function in "Printing preferences". Some functions are as follows:

Functions	Diagram
Automatic Two-Sided Printing	
Collate Print	
Reverse Print	
N-in-1	
Poster Print(for Windows Operation System only)	
Zoom Print	
Custom Size	

**Note:** • You can realize poster printing feature by selecting 2x2 poster printing in multipage.  
• You can enable printing preference and click the help button to view detailed function description.

# Print Settings

## Setting the printing parameters

You can set up printing parameters with the following two methods before sending printing work (such as paper type, paper size and paper source).

Operating system	Temporary printing setup change	Permanent default setup change
Windows	1. Click "File" menu – "Print" – "Select printer" - "Printer properties" (the detailed steps may differ because of multiple operating systems).	1. Click "Start" menu- "Control Panel" – "Devices and Printers". 2. Right click on the printer icon, select "Printing preference" and then change setup and save it.
macOS	1. Click "File" menu – "Print". 2. Change setup in the window popping out.	1. Click "File" menu – "Print". 2. Change setup in the window popping out and click to save the preset. (Select preset every time before printing, or print according to default setup.)

**Note:** • Priority of App setup is senior to printer setup.

## Automatic Two-Sided Printing

The printer supports automatic two-sided printing of plain paper. Paper size supported by the automatic two-sided printing: A4, Letter, Legal, Oficio, Folio.

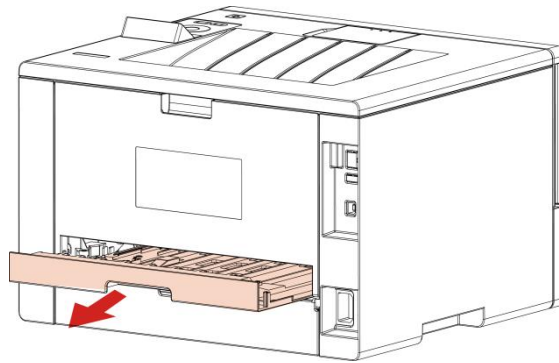
- Note:** • Trying the automatic two-sided printing may damage the printer if some paper media are not suitable for automatic two-sided printing.
- Auto duplex printing does not support poster printing.
  - Please refer to [Chapter 2](#) for paper loading and type of mediums that can be printed via auto feed tray.

## Duplex printing unit setup

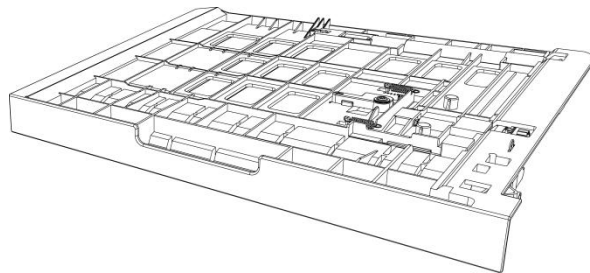
For the purpose of achieving the best printing result, you can set up the paper size of duplex printing unit. As for duplex printing of A4 papers, the slide should be adjusted to the A4 position; as for Letter, Legal, Folio and Oficio duplex printing, the slide should be adjusted to the Letter position.

Setup steps of duplex unit are:

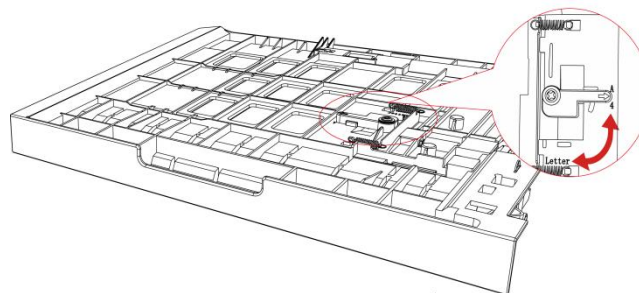
1. Draw out duplex unit.



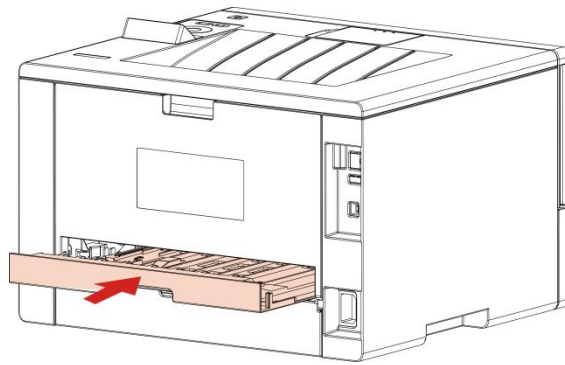
2. Make the backside of duplex unit up.



3. Adjust paper size slide to A4 or Letter position to finish setting up.



4. Install the duplex unit in the printer.



### How to carry out auto duplex printing

1. Open the print job to be printed from the application (such as a Notepad).
2. Select Print from the File menu.
3. Select printer of the corresponding model.
4. Single click "Preferences" for printing setup.
5. Select the "Duplex" in "Basic" tab and then select "Long Edge" or "Short Edge".
6. Single click "OK" to finish printing setup. Click "Print" to realize auto duplex printing.

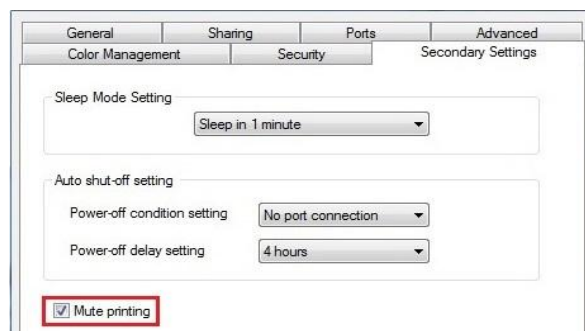
### Mute printing

If the Mute Printing is set, the printing noise will be reduced but the printing will slow down to some extent.

The operating steps of mute printing are as follows (applicable to printers that are installed via USB connection)

Windows 10 is taken as the example in the following operation. The information on your computer screen may differ because of multiple operating systems.

1. Enter the "Start menu" – "Control Panel" –view "Devices and Printers".
2. Right click printer and select "Printer properties" in the pull-down menu.
3. Enter the "Secondary Settings" option.
4. Tick "Mute printing" and click "Ok" to finish setup.



5. Open the printing work from the App, select a printer of the corresponding model and then set up printing according to needs.
6. Click "Print" to realize mute printing.

**Note:** • Printers with LCD control panel can be set to mute printing with keys on control panel directly.

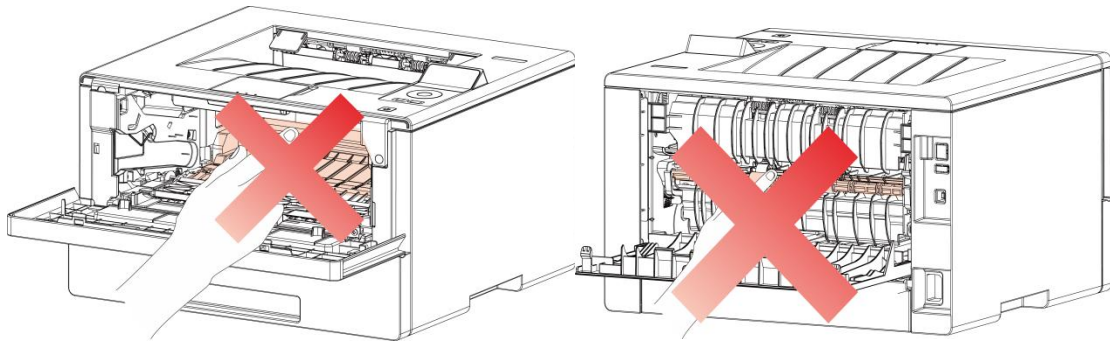
# 08 Routine Maintenance

**Note:** • Printer appearance may differ because of different models and functions, so the schematic diagram is only for your reference.

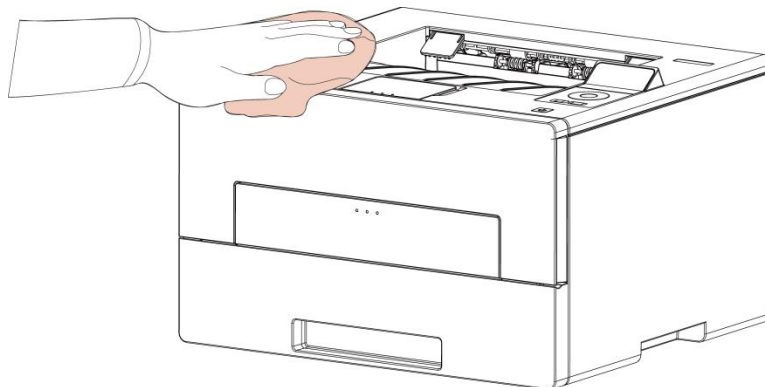
## Cleaning the Printer

**Note:** • Please use mild detergents.

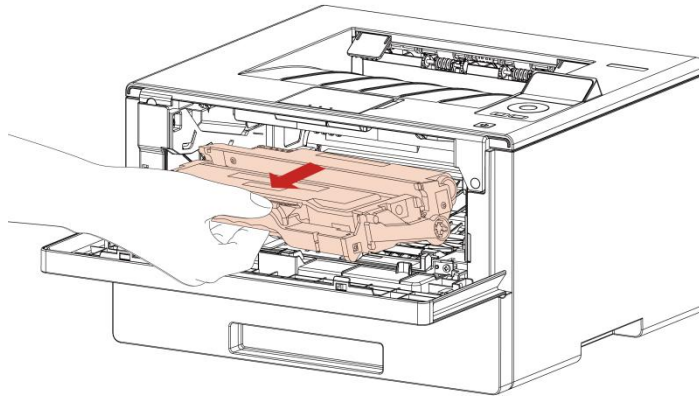
• Some parts of the printer may still be hot for a short period after use. When opening the front cover or rear cover to clean the parts inside the printer, please do not touch the parts in the shaded area as shown in the following picture.



1. Use a soft cloth to wipe the outside of the printer clean.

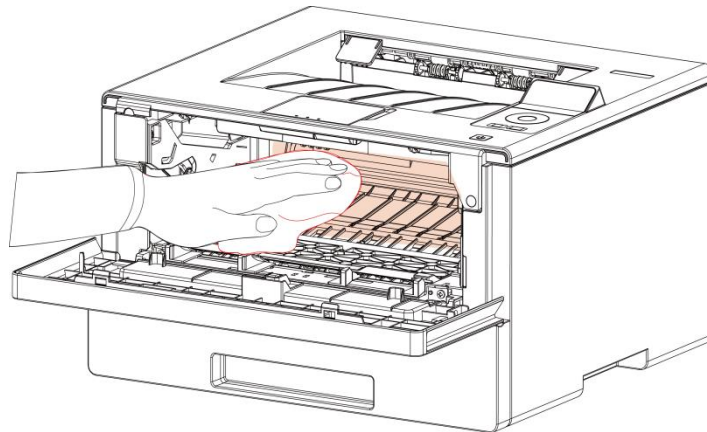


2. Open the front cover and take the laser toner cartridge out along the track.

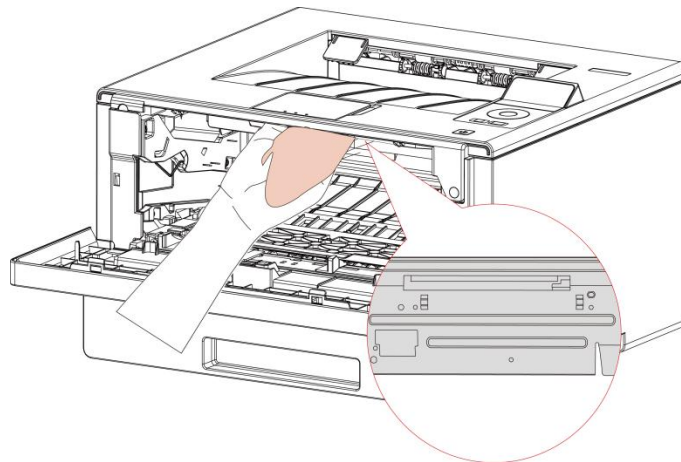


**Note:** • When removing the toner cartridge, put the toner cartridge in a protective bag or wrap it with thick paper to avoid direct light damaging the toner cartridge.

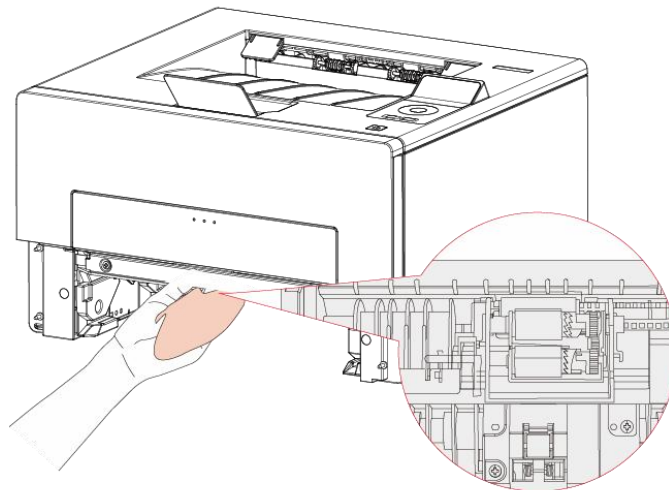
3. Clean the inside of the printer by gently wiping the shaded area, as shown in picture, with a dry and lint-free cloth.



4. Wipe the LSU lens of printer gently with dry lint cloth.



5. Open the auto feed tray and wipe the pickup roller gently with dry lint cloth.



## Toner cartridge and drum component maintenance

### About toner cartridge and drum component

#### 1. Application and maintenance of toner cartridge

Please use the original toner cartridge for better printing quality.

Please pay attention to the following items while using the toner cartridge:

- Do not take the toner cartridge out of its package unless it will be used immediately.
- Do not refill the toner cartridge without permission; otherwise, the damages caused will not be included in the scope of warranty of the printer.
- Please place the toner cartridge in cool and dry places.
- Please do not place the toner cartridge near ignition sources, as the toner inside it is inflammable and may cause fire.
- Please pay attention to toner leakage while it is taking out or disassembled. In case of toner leakage, skin contact with toner or spattering into eyes or mouth, please wash it with clear water immediately, or see a doctor if feeling unwell.
- Toner cartridge should be placed out of reach of children.

#### 2. Service life of toner cartridge

- The service life of toner cartridge is depending on the toner quantity needed by printing.
- For printers with LCD control panel, normally-on orange toner cartridge indicator or "Ctg life expired" displayed on LCD display means that the service life of toner cartridge has expired and a new toner cartridge should be replaced to.

#### 3. Service life of drum component

- For printers with LCD control panel, "DrumUnitLifeEnd" displayed on LCD display means that the service life of drum component has expired and a new drum component should be replaced to.

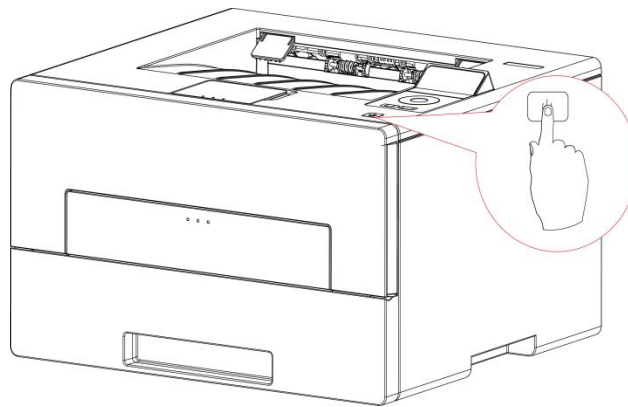
## Replace toner cartridge and drum component

**Note:** Please pay attention to the following matters before replacing toner cartridge:

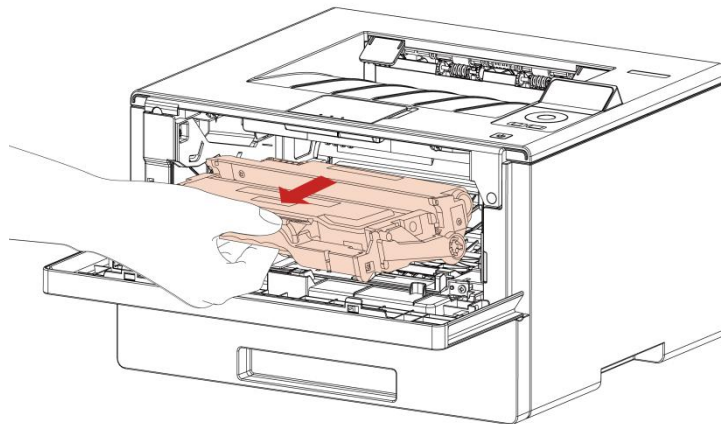
- Since there may be toner on the surface of toner cartridge, please pay attention while taking it out to avoid spattering.
- Please place the toner cartridge taken out on paper to avoid large-scale spattering of toner.
- When installing, do not touch the surface of the toner cartridge, so as to avoid scratching it.

Toner cartridge replacement steps:

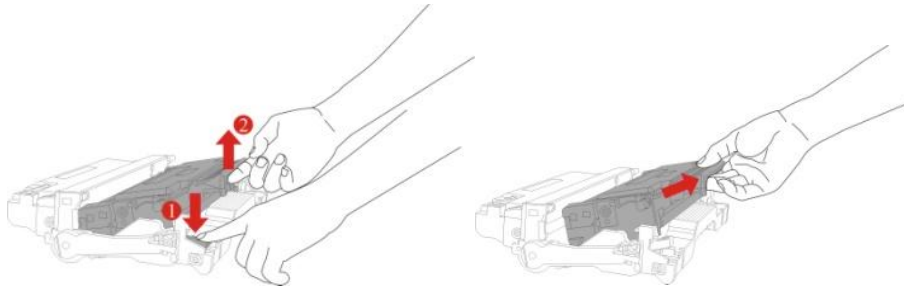
1. Power off the printer.



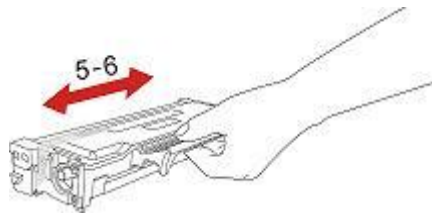
2. Open the front cover and take the laser toner cartridge out along the track.



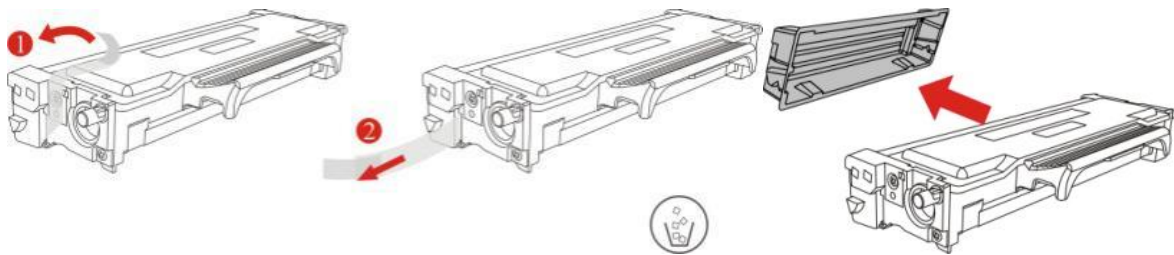
3. Press the blue button on the left side of drum component with left hand and lift the toner cartridge handle with right hand at the same time to take the toner cartridge out.



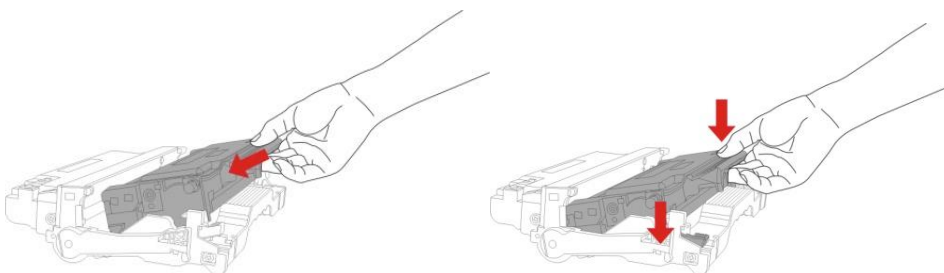
4. Open the package of the new toner cartridge and hold the toner cartridge handle to shake it left and right for 5 – 6 times, so that the toner inside can be uniformly dispersed.



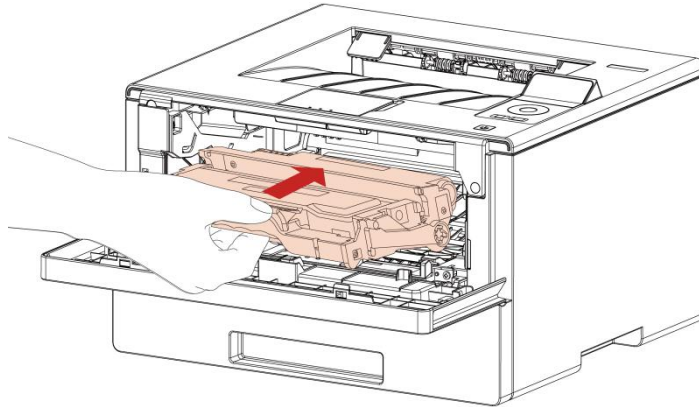
5. Pull the seal out and take the toner protection cover out.



6. Install the drum component along the inner track to finish installing toner cartridge.



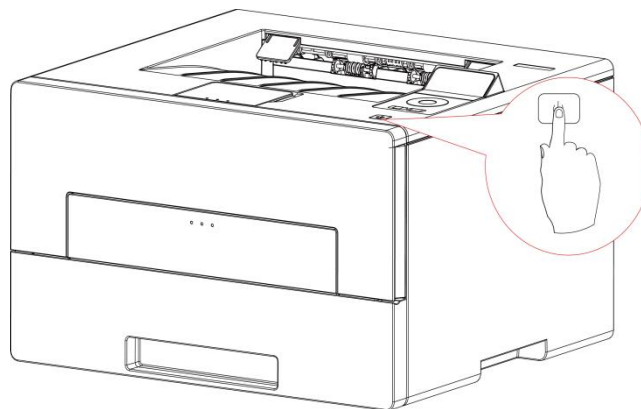
7. Take the drum component with toner cartridge installed and install it inside the printer along the inner track of printer to finish installing.



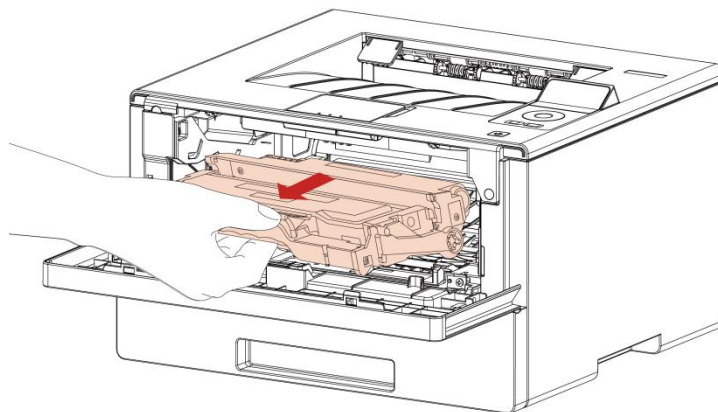
8. Close the front cover.

Drum component replacement steps:

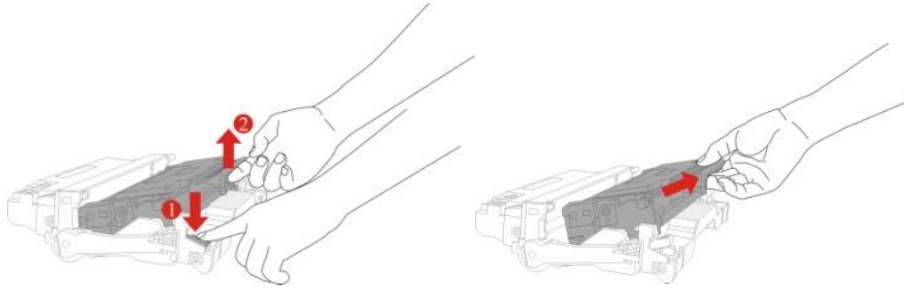
1. Power off the printer.



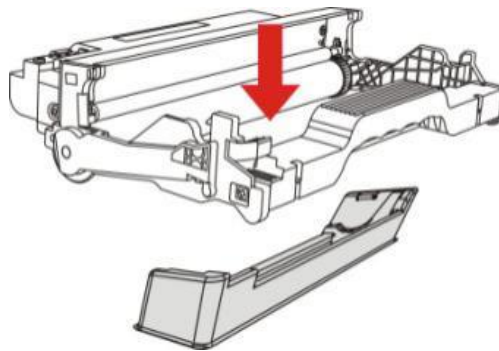
2. Open the front cover and take the laser toner cartridge out along the track.



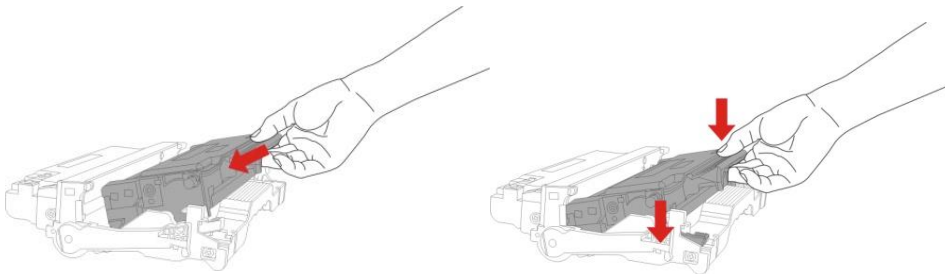
3. Press the blue button on the left side of drum component with left hand and lift the toner cartridge handle with right hand at the same time to take the toner cartridge out.



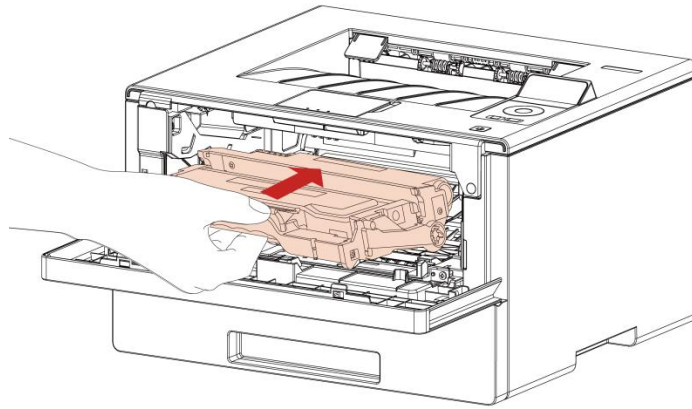
4. Open the package of new drum component, take the protection device of drum component, and put the drum component on a horizontal table.



5. Install the drum component along the inner track to finish installing toner cartridge.



6. Take the drum component with toner cartridge installed and install it inside the printer along the inner track of printer to finish installing.



7. Close the front cover.

# 09 Troubleshooting

---

Please read this section carefully. It may help you to solve common problems encountered during the printing process. If the problems persist, please contact G&G Aftersales Service Centre.

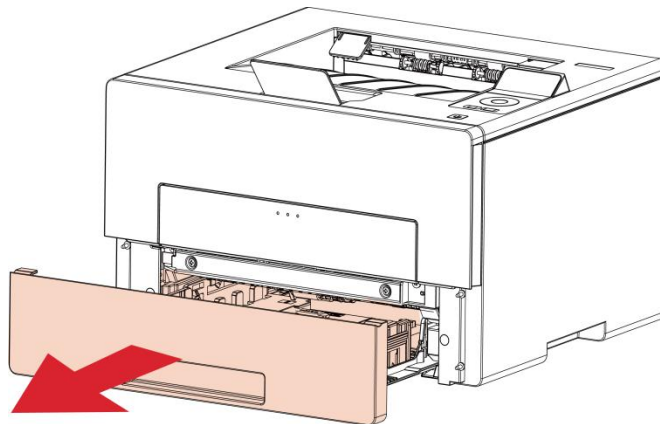
Prior to handling common problems, first check that:

- The power cord is connected correctly and the printer is powered on.
- All of the protective parts are removed.
- The toner cartridge is installed correctly.
- The paper is correctly loaded into the tray.
- The interface cable between the printer and the computer is connected correctly.
- The correct printer driver has been selected and installed properly.
- The computer port is properly configured and is connected to the correct printer port.

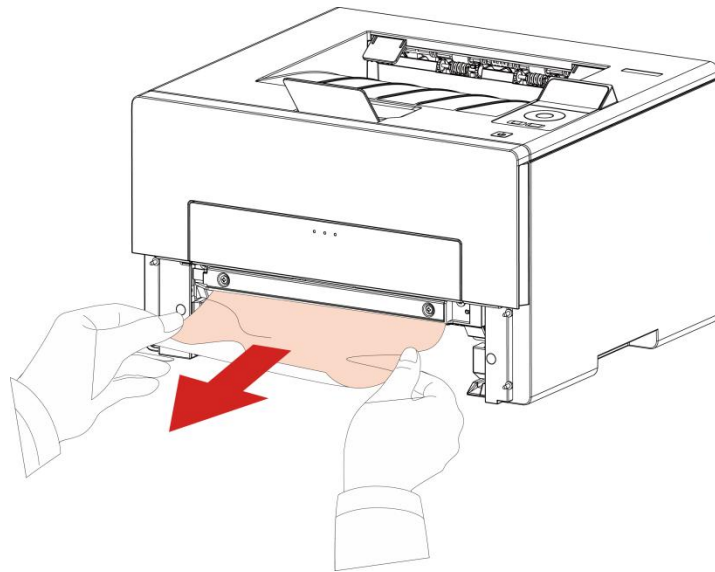
## Cleaning Jammed Paper

### Paper jam of auto feed tray

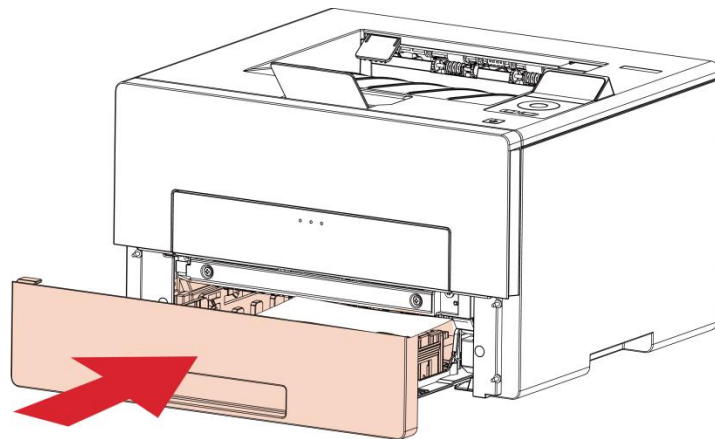
1. Open the tray.



2. Gently pull the jammed paper out.

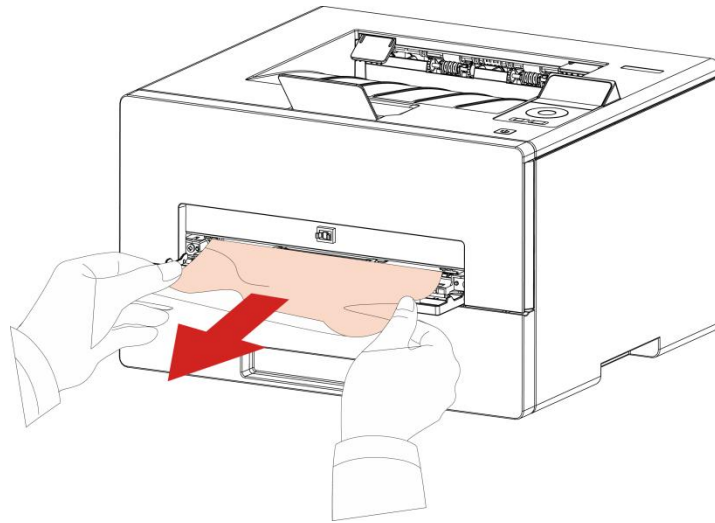


3. After taking papers jammed out, please reinstall the paper tray inside the printer and close the front cover, then the printer will recover printing automatically.

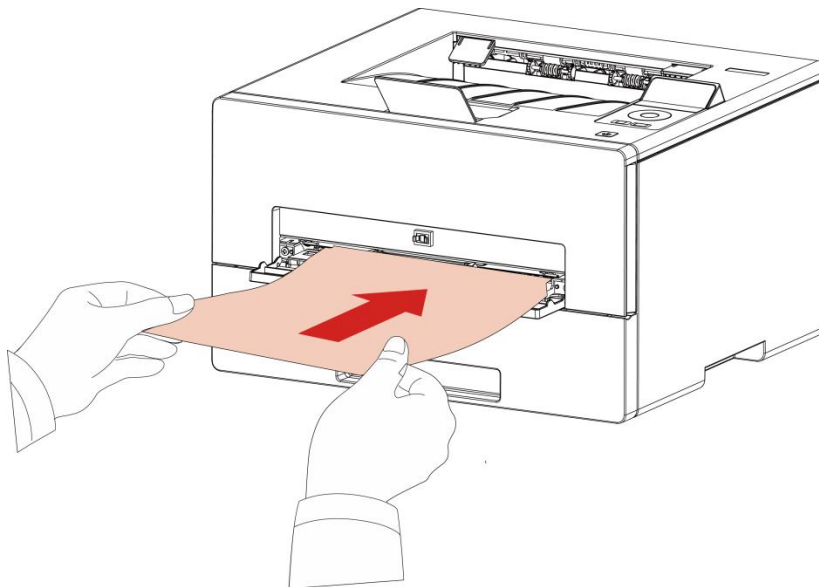


## Paper jam of manual feed tray

1. Gently pull the jammed paper out.

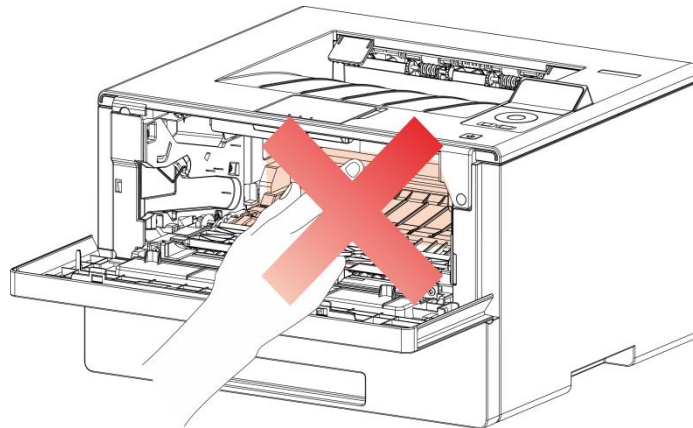


2. After taking papers jammed out, open and close the front cover and the printer will recover printing.

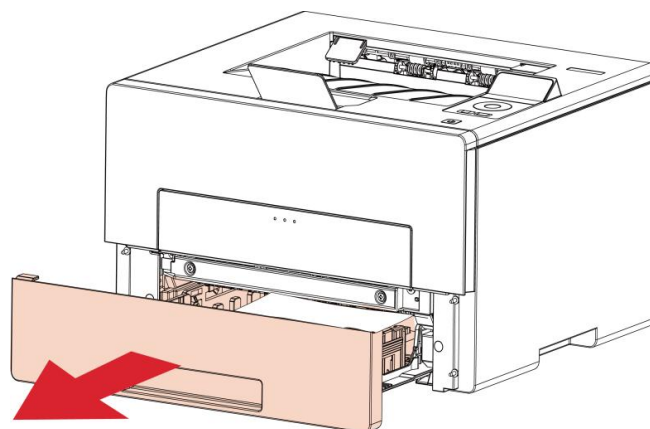


## Middle jam

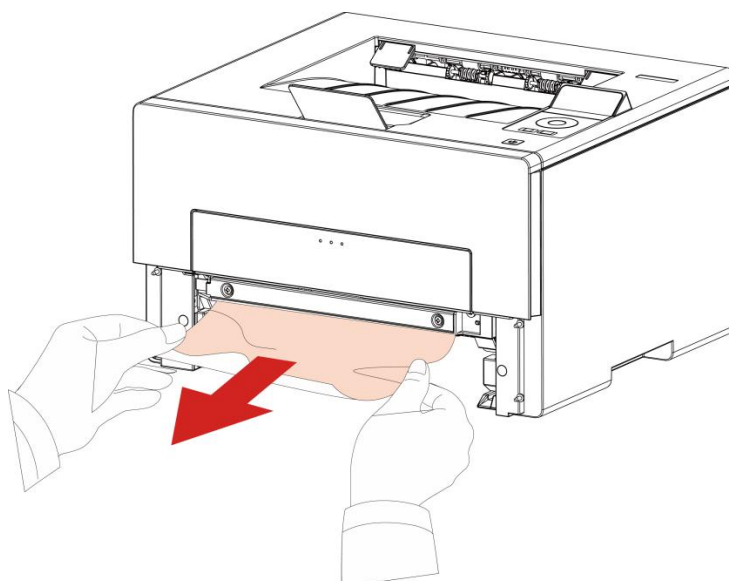
**Note:** • When papers jammed in the middle are taken out, please pay attention and do not touch the shaded area shown below, in order to avoid burn.



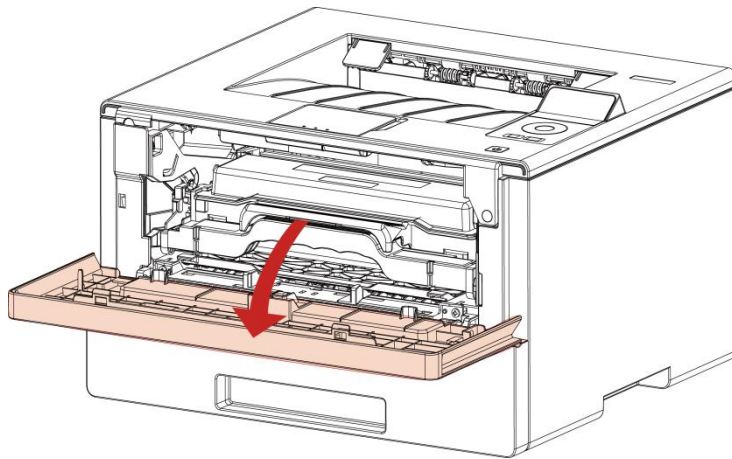
1. Pull paper tray out.



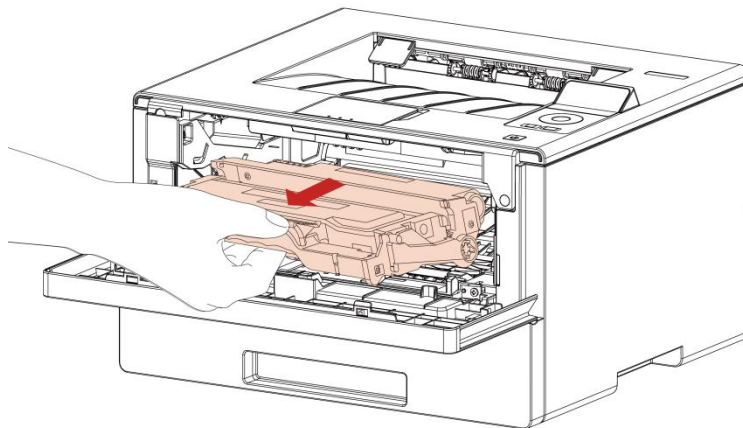
2. Gently pull the jammed paper out.



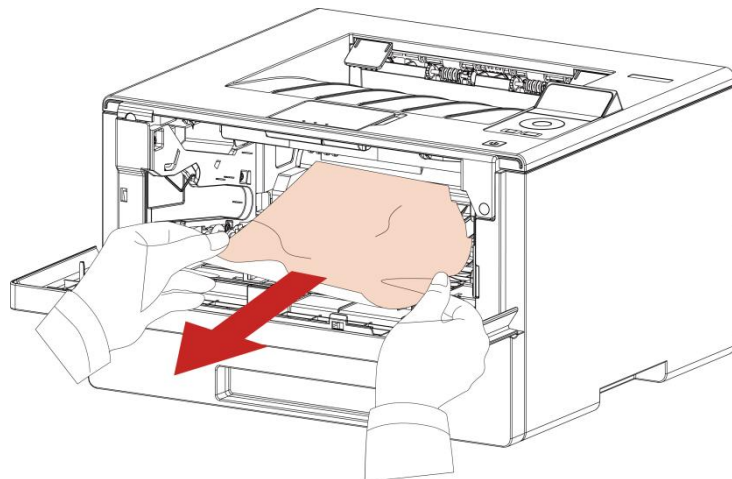
3. Open the front cover.



4. Take the laser toner cartridge out along the track. (For the purpose of preventing printing quality from affecting by the exposure of photosensitive drum, please put the laser toner cartridge inside the protection bag or wrap it with thick paper).



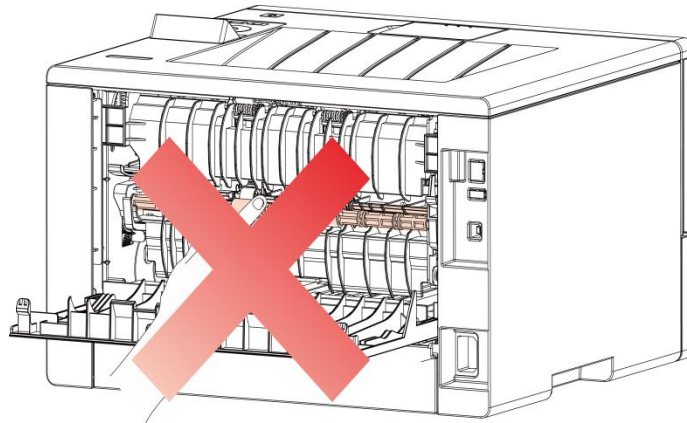
5. Gently pull the jammed paper out.



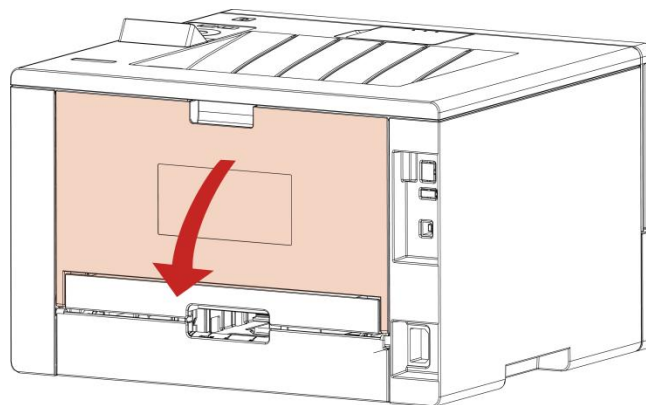
6. After taking out papers jammed, install the laser toner cartridge again and close the front cover, then the printer will recover printing.

## Paper Jam in the Fuser Unit

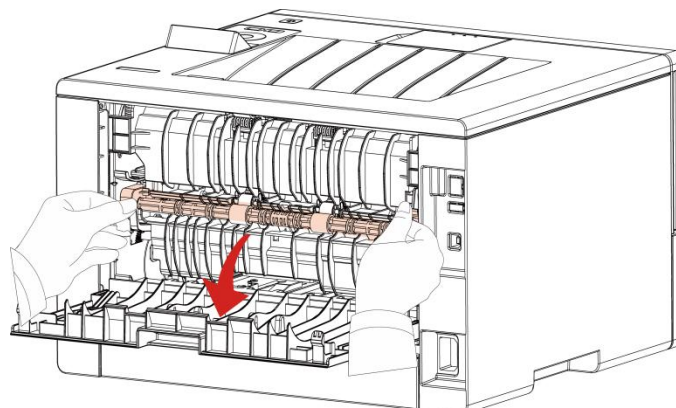
**Note:** • When papers jammed in fuser unit are taken out, please pay attention and do not touch the shaded area shown below in order to avoid burns.



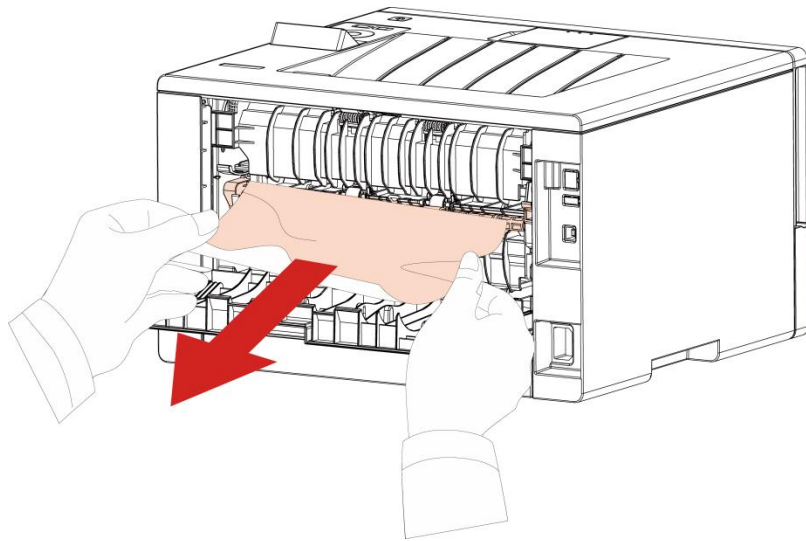
1. Open the rear cover.



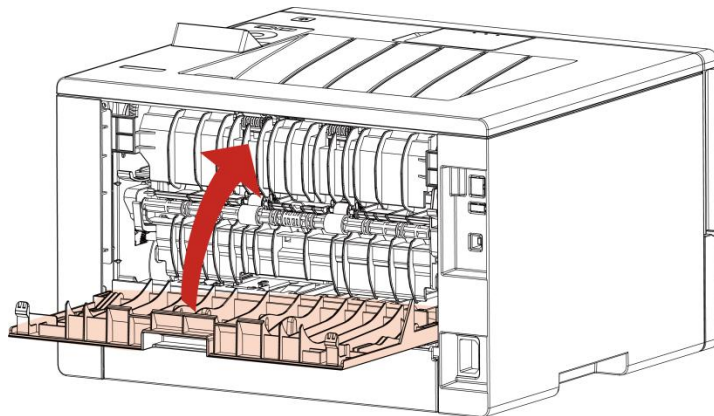
2. Open the fuser release unit by pressing the blue fuser release handles on both sides first and then the black paper guiding handle.



3. Gently pull the jammed paper out.

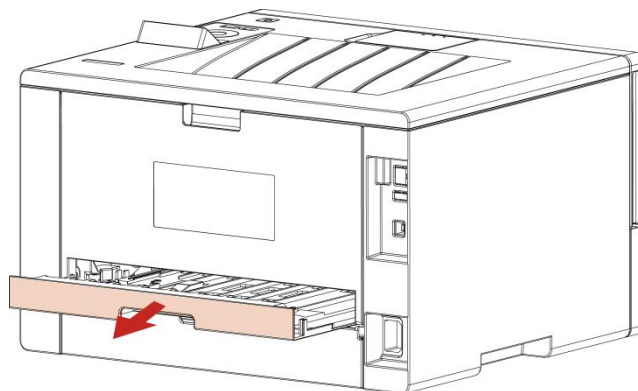


4. After taking papers jammed out, close the back cover and open the front cover and then the printer will recover printing.

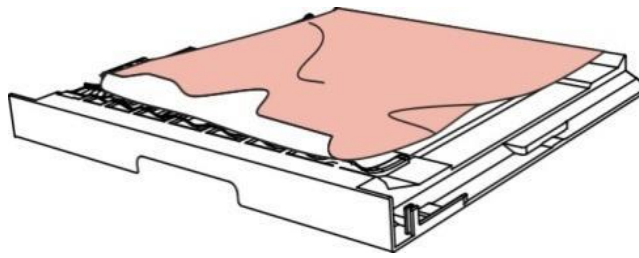


## Duplex Unit Jam

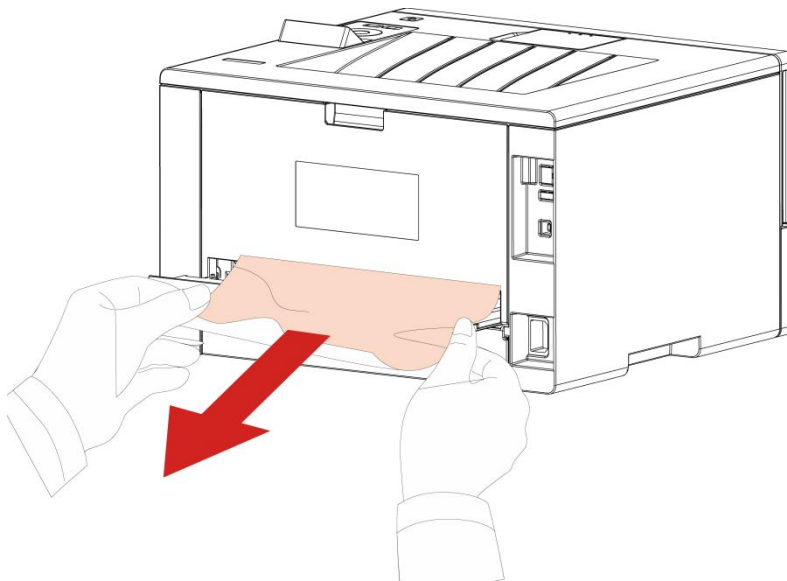
1. Remove the duplex printing unit from the back of the printer.



2. Remove the jammed paper from the duplex unit.



3. If the paper does not come out along with the duplex unit, open the tray and remove the jammed paper directly from the bottom.



4. After taking papers jammed out, install the duplex unit back and inspect other parts to the product. If it can be ensured that there are no jammed papers, open and close the front cover and then the printer will recover printing automatically.

**Note:** • After all papers jammed are taken out according to the above steps, close the front cover and tidy the papers in paper tray, then the printer will recover to print automatically.

• If the printer still does not start printing, please check that all the jammed paper inside the printer has been cleared.

• If you cannot remove the jammed paper yourself, please contact your local G&G authorized repair center or send the printer to the nearest G&G authorized service center for repair.

• Printer appearance may differ because of various models and functions, so the schematic diagram is only for your reference.

## Software Failure

Problem	Solution
The printer icon is not displayed in the "Device and Printer" folder.	Reinstall the printer driver. Please ensure that the USB cable and power cord are correctly connected.
The printer is in Ready mode but it will not perform any print job.	If the failure still exists after restarting the printer, please reinstall the printer driver. Make sure the network cable of USB cable is connected correctly.
Failed to install the driver	Check whether the print spooler service is enabled. Check the power supply and the connection of the printer.
The driver cannot be used if the IP address of the printer has been changed	Modify the port IP address of the printer driver. If the above method does not work, please reinstall the printer driver. It is recommended that a fixed IP address should be set to the network printer. In the DHCP network, it is recommended to bind the IP address with the Mac address of the printer.





# Common Troubleshooting

## Common Problems

Problem	Cause	Solution
<b>Problems with the Printer</b>		
The printer does not work	<ul style="list-style-type: none"> <li>• The cable between the computer and the printer is not connected properly.</li> <li>• Error in specifying the print port.</li> <li>• The printer is offline and User Guide of Printer is checked.</li> <li>• The printer has not recovered from an internal error, such as a paper jam, paper empty, etc.</li> <li>• Driver program of printer is not installed correctly.</li> </ul>	<ul style="list-style-type: none"> <li>• Disconnect and then reconnect the printer cable.</li> <li>• Check the Windows printer settings to ensure that the print job has been sent to the correct port. If the computer has more than one port, make sure that the printer is connected to the correct port.</li> <li>• Make sure that the printer is in the normal online status.</li> <li>• Please eliminate errors so that the printer can recover to its normal state.</li> <li>• Unload and reinstall the driver program of printer.</li> </ul>
<b>Problems with Paper Handling</b>		
Paper feed failure	<ul style="list-style-type: none"> <li>• The print media has been loaded incorrectly.</li> <li>• The print media is out of the supported media range.</li> <li>• The feed roller is dirty.</li> <li>• Too many papers in paper tray.</li> </ul>	<ul style="list-style-type: none"> <li>• Please install printing medium correctly; please print with manual feed tray if special printing medium is used to print.</li> <li>• Please use the print media within the specification range.</li> <li>• Clean the feed roller.</li> <li>• Take the excessive papers out from paper tray; please print with manual feed tray if special printing medium is used to print.</li> </ul>
Paper Jam	<ul style="list-style-type: none"> <li>• Too many papers in paper tray.</li> <li>• The print media is out of the supported media range.</li> <li>• There is foreign matter in the paper path.</li> <li>• The feed roller is dirty.</li> <li>• Internal parts failure.</li> </ul>	<ul style="list-style-type: none"> <li>• Take the excessive papers out from paper tray; please print with manual feed tray if special printing medium is used to print.</li> <li>• Make sure to use the paper that meets specifications. please print with manual feed tray if special printing medium is used to print.</li> <li>• Clean the paper path.</li> <li>• Clean the feed roller.</li> </ul>
Print multipage feed	<ul style="list-style-type: none"> <li>• Excessive static electricity on the print media.</li> <li>• The print media is damp and is sticking together.</li> <li>• Internal parts failure.</li> </ul>	<ul style="list-style-type: none"> <li>• Separate the print media to eliminate some static electricity. It is suggested that you use the recommended print media.</li> <li>• Separate the print media or use better quality and dry print media.</li> </ul>

**Note:** • If the problem persists, please contact the customer service center. See the Three Guarantees certificate for contact details.

## Image Defects

Problem	Cause	Solution
 <p>The printout is whitish or light</p>	<ul style="list-style-type: none"> <li>• The print media does not meet the usage specifications, for example the media is damp or too rough.</li> <li>• The resolution setting of printing program is too low and concentration setting is too low, or save toner mode is ticked.</li> <li>• Toner is low.</li> <li>• Toner cartridge is damaged.</li> </ul>	<ul style="list-style-type: none"> <li>• Please use proper print media within the specification range.</li> <li>• Set the resolution and concentration setting of program, or cancel ticking the save toner mode.</li> <li>• It is suggested to replace the original toner cartridge.</li> </ul>
 <p>Toner spots</p>	<ul style="list-style-type: none"> <li>• Dirty toner cartridge or toner leakage.</li> <li>• Toner cartridge is damaged.</li> <li>• The print media does not meet the usage specifications, for example the media is damp or too rough, or has been used previously.</li> <li>• The paper path is dirty.</li> </ul>	<ul style="list-style-type: none"> <li>• It is suggested to replace the original toner cartridge.</li> <li>• Please use the print media within the specification range.</li> <li>• Clean the paper path.</li> </ul>
 <p>White spots</p>	<ul style="list-style-type: none"> <li>• The print media does not meet the usage specifications, for example the media is damp or too rough, or has been used previously.</li> <li>• The paper path is dirty.</li> <li>• The drum inside toner cartridge is damaged.</li> </ul>	<ul style="list-style-type: none"> <li>• Please use the print media within the specification range.</li> <li>• Clean the paper path.</li> <li>• It is suggested to replace the original toner cartridge.</li> </ul>
 <p>Toner comes off</p>	<ul style="list-style-type: none"> <li>• The print media does not meet the usage specifications, for example the media is damp or too rough, or has been used previously.</li> <li>• The printing paper medium set and paper medium placed are not consistent.</li> <li>• The inside of the printer is dirty.</li> <li>• Toner cartridge is damaged.</li> <li>• The parts inside the printer are damaged.</li> </ul>	<ul style="list-style-type: none"> <li>• Please use printing medium within the specification scope, and use manual feed tray for printing in case of special medium.</li> <li>• Please print with corresponding paper medium.</li> <li>• Clean the inside of the printer.</li> <li>• It is suggested to replace the original toner cartridge.</li> </ul>



Black vertical stripes

- Dirty toner cartridge
- Damaged inner parts of toner cartridge.
- Dirty combining glass of inner laser of the machine.
- The paper path is dirty.
- Clean or replace toner cartridge
- Clean the mirror of the laser at the back of the printer.
- Clean the feed path of printer.



Black background(gray background)

- The print media does not meet the usage specifications, for example the media is damp or too rough, or has been used previously.
- Dirty toner cartridge
- Damaged inner parts of toner cartridge.
- The paper path is dirty.
- Abnormal internal transfer voltage of printer.
- Please use the print media within the specification range.
- Clean or replace toner cartridge
- Clean the paper path inside the printer.



Cyclical traces appear

- Dirty toner cartridge
- Damaged inner parts of toner cartridge.
- The fuser component is damaged.
- Clean or replace toner cartridge
- Please contact customer services center to replace to a new fuser assembly.



Skewed pages

- The print media has been loaded incorrectly.
- The paper path of the printer is dirty.
- Ensure the correct loading of the print media.
- Clean the paper path inside the printer.



Wrinkled paper

- The print media has been loaded incorrectly.
- The print media does not meet the usage specifications.
- The paper path of the printer is dirty.
- The fuser component is damaged.
- Ensure the correct loading of the print media.
- Please use print media within the specification range.
- Clean the paper path inside the printer.
- Please contact customer services center to replace to a new fuser assembly.



The back of the printout is dirty

- Dirty toner cartridge
- The transfer roller inside the printer is dirty.
- The transfer voltage inside the printer is abnormal.
- Clean or replace toner cartridge
- Clean the internal transfer part of the printer.



Whole page dark

- Toner cartridge is improperly installed.
- Inner damage of toner cartridge.
- Abnormal internal charging of machine or the toner cartridge is not charged.

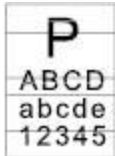
- Install ink cartridge correctly.
- It is suggested to replace the original toner cartridge.



The toner does not adhere to the paper

- The print media does not meet the usage specifications, for example the media is damp or too rough, or has been used previously.
- The inside of the printer is dirty.
- Toner cartridge is damaged.
- The parts inside the printer are damaged.

- Please use printing medium within the specification scope, and use manual feed tray for printing in case of special medium.
- Clean the inside of the printer.
  - It is suggested to replace the original toner cartridge.



Horizontal stripes

- The toner cartridge is not installed correctly.
- The toner cartridge may be damaged.
- The parts inside the printer are damaged.

- Install ink cartridge correctly.
- It is suggested to replace the original toner cartridge.

**Note:** • The faults above can be mitigated by cleaning or replacing the cartridge. If the problem persists, please contact the customer service center. See the Three Guarantees certificate for contact details.

# 10 Product Specifications

**Note:** • Specification values are slightly different for different models of printers with different functions. These values are based on the initial data. For more information about the latest specification, please visit: [www.gg-printer.ru](http://www.gg-printer.ru).

## Overview of the Specifications

Product Size(W*D*H)	333mm*355mm*232mm
Product Weight	6.8kg
Print Environment	Print temperature range:10~32°C Print humidity range:20%RH~80%RH
Power Voltage	110V Model: AC100-127V, 50Hz/60Hz,9A 220V Model: AC220-240V, 50Hz/60Hz,4.5A
Noise (acoustic pressure level)	Printing: ≤52dB(A) Standby :≤30dB(A) Mute mode: ≤46dB(A)
Enter network standby time	1 minute
Default automatic shutdown time(for EU only)	4 hours
Power Consumption	Network standby: Wi-Fi ≤3W;Non-Wi-Fi ≤2W Standby: ≤2W Standby: ≤50W Shutdown: ≤0.5W TEC: conforming to requirements of Chinese energy efficiency rating
Operating system	MicrosoftWindowsXP(x86)/Windows7(x86/x64)/Windows8.1(x86/x64)/ Windows10(x86/x64)/windows 11(x64)/Windows server2012/2016/2019/2022(x64); macOS 10.10-14.3 Ubuntu12.04(x86),ubuntu14.04(x64),ubuntu16.04(x64),ubuntu18.04(x64),Astra V1.6(x64),Centos 7(x86/x64),Redhat 8/ Centos 8(x64),Debian 10(x86/x64),Debian 11(x64),Mint 21.2(x64) iOS 13.0-16.0 Android 6.0-13.0

---

Communication interface	USB 2.0 (High Speed)
	IEEE802.3 10/100Base-Tx
	IEEE802.11b/g/n (support WPS)

---

## Print Specifications

---

Print Speed	33ppm
Print Time of First Page	≤8.5sec
Print Language	PCL5e,PCL6,PS,PDF
Maximum printable size	216mm*356mm

---

