

Ninestar

Ninestar Copier Product Portfolio

Boosts Your Business in Easy Way

Simplified

One-stop

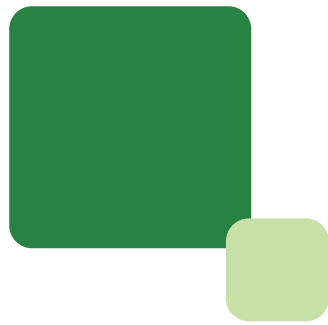
Efficient





A “Get Rich Quick” Plan for You

Want to start a business as an IT/print service provider in your local market but don't have a lot of startup money or time to invest in specialized equipment or developing skills? Then you'll want to have a look at Ninestar Copier Product Portfolio--a simplified, one-stop and efficient solution designed for IT/print service providers to enjoy boosting profits quickly and easily.



The Can't-Miss Sector in Your Business: MFPs

If you're well equipped with the industry knowledge necessary to be IT/print service provider, then you know multifunctional printers (MFPs) are extremely popular among your customers across different fields due to following benefits:



**Powerful
document
processing
capacity**



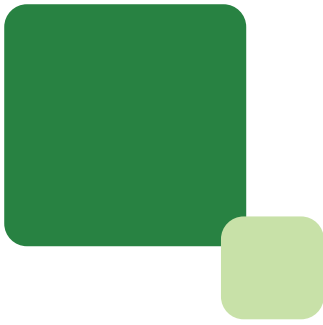
**Longer
service
life**



**Higher
duty
cycle**

While your customers are counting on MFPs to optimize their workflows, you are not going to miss the potential opportunities lying in MFPs sector.





To Lead the Pack: Avoid All Pain Points

To stand out from your opponents and to boost profit margin, you need to:



Lower device investment and provide cost-effective premium third-party print supplies.

The Cost per Page (CPP) you offer for your customers can not be competitive if you use brand new machines and original print consumables.



Provide outstanding user experience by offering reliable product.

Enterprise users pay more attention to product reliability than individual users do. If you don't deliver that quality again and again—those who were in your corner one day may not be the next.



Extend the service life of hardware.

The longer the service life, the lower the cost per page and the maintenance cost you can enjoy.



Simplify maintenance.

Simplified maintenance process lowers requirement for maintenance technique, therefore, even unskilled people can handle maintenance easily and efficiently.





Refurbished Copier Provides Genuine Performance

Why refurbished? Save your cost is a no-brainer. We guarantee our refurbished copiers are much more affordable than unopened originals, but many of them are just as powerful.

This is how we do:



With its exterior reconditioned, interior cleaned, key vulnerable parts replaced and repaired, consumable components standardized and recycled, the entire device regain more than 90% of the performance of a brand new machine.



Each refurbished copier has the same standard and delivers same, brilliant performance.



All units are recycled and can regain the performance of brand-new ones.



Each refurbished copier comes with a set of toner cartridges ready to be used at any time. Usually, you cannot get a set of free cartridges even though you purchase the original machines.

Currently, there are two models of devices available, Ricoh MP C3503 and MP C5503. In the future, more models will be released according to market demands.

Specifications

MP C3503

MP C5503

General Specifications

Copy speed(B&W & Color)		35 ppm	55 ppm
First Copy Time	B&W	4.6 seconds	3.1 seconds
	FC	7.1 seconds	4.5 seconds
Warm-Up Time		Less than 20 seconds	Less than 20 seconds
Recovery from Sleep Mode		10 seconds	10 seconds
Quantity Indicator		Up to 999 pages	Up to 999 pages
Memory Capacity	Standard	1.5GB	2GB
	Maximum	2GB	2GB
Hard drive capacity		250GB	250GB
Zoom		25%-400% in 1% increments	25%-400% in 1% increments
Paper Capacity	Standard	1200 sheets	1200 sheets
	Maximum	4700 sheets	4700 sheets
Dimensions(WxDxH)		587 x 685 x 912 mm	587 x 685 x 963 mm
Weight		93.1KG	99.9KG
Power Consumption		1,584W or less	1,584W or less

Printer Specifications

Print speed(B&W & Color)		35ppm	55ppm
Print Resolution		1200 x 1200 dpi	1200 x 1200 dpi
Print Drives	Standard	Standard: PCL5c, PCL6, PDF Direct Print, Media Print & XPS	Standard: PCL5c, PCL6, PDF Direct Print, Media Print & XPS
	Optional	Adobe PostScript3, IPDS & PictBridge	Adobe PostScript3, IPDS & PictBridge

Facsimile Specifications (Optional)

Compatibility		G3: Approximately 2 seconds/page (JBIG)	
Compression Method		MH, MR, MMR, JBIG	MH,MR, MMR, JBIG
Modem Speed		33.6K-2,400bps	33.6K-2,400bps
Transmission Speed		Up to 68 spm	and 82 spm
Memory Capacity	Standard	4MB	4MB
	Maximum	28MB	28MB

Scanner Specifications

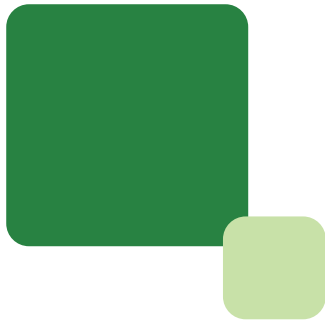
Scanning Speed	DF3110	200/300 dpi: 79 ipm	110 ipm Simplex/ 180 ipm Duplex
Scan Modes		*Scan-to-Email (with LDAP support) Scan-to-Folder (SMB/FTP/NCP*) Scan-to-URL Scan-to-Media (USB/SD Card) Network TWAIN Scanning *	
Scanner Resolution		B&W and FC scanning at 100 – 600 dpi, Up to 1200 dpi for TWAIN scanning	



MP C3503



MP C5503



Replacement Units Lead to Simplicity

As an one-stop provider of printing solutions, Ninestar also provide various replacement units which simplify the replacing process.



Ninestar has sufficient resources to produce recycled units of copier printer and can meet your demand through constant and stable supply of products.



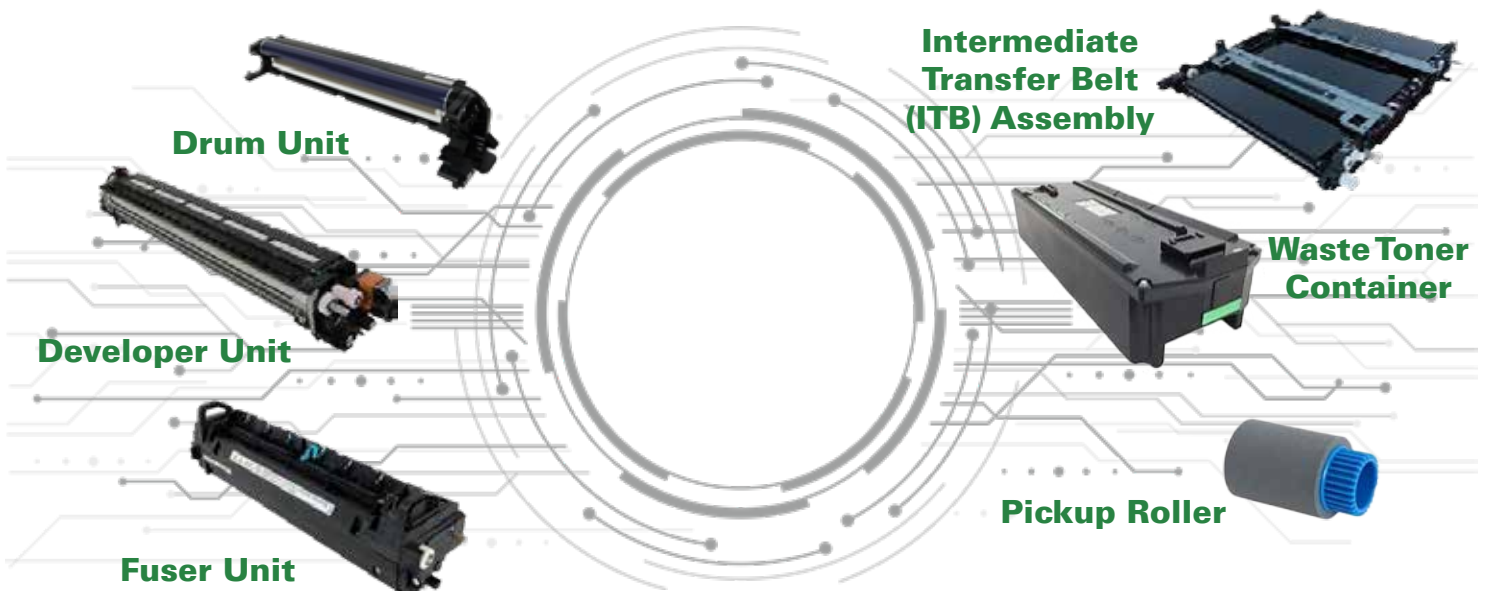
Those units are equipped with high-quality imported components, making them better regain the original performance.



The maintenance mode similar to OEM reduces the defect rate and saves overall cost. It takes maximum 10 minutes to complete the entire maintenance and replacement without interrupting the end users from using it.



They can be reused and recycled again.



Cost-saving Components

If you are from a country where the local labor cost is not high or you have faced short supply of replacement units, then Ninestar's recycled components offer you cost-saving choices as the alternatives of units. It is worth mentioning that all the replacement units are made up of these components, so that they share the same good quality. Qualified with abundant recycling channels, Ninestar has strong capacity of manufacturing recycled components.



- Target customers who pursue minimum cost;
- Serve as emergency replacements for units.






Premium-quality Cartridges

To further expand the range of your portfolio, Ninestar offers quality remanufactured products that are perfectly compatible for certain copier models. Those products, including Reborn and TurboTec series, give your customers more premium alternatives when choosing cartridges.



- 100% Reman toner enable users to enjoy OEM-like printing performance. **G&G Reborn remanufactured cartridges for use in Ricoh, Canon, Konica Minolta and Xerox are available now.**
- 100% original empty cartridge brings lower defect rate, complete functionality and same experience as original users.
- 100% OEM chip(reset) shows printing information precisely, and endows the cartridge with anti-firmware capability. This ensures worry-free use.



- Patented TurboTec technology
 - OEM-equivalent user experience
 - Less pollution & no damage to your machine
- 

Ninestar

*Our goal is to help
you achieve yours.*

Reliable Solutions. Lower Overall Cost. Better Profit Margin.



© Ninestar Image Tech Limited. All rights reserved worldwide.

📍 No. 3883, Zhuhai Avenue, Xiangzhou District, Zhuhai Guangdong, P.R. China 519060

✉ www.ggimage.com 🌐 info@ggimage.com